

THIS DRAWING IS UNPUBLISHED.

RELEASED FOR PUBLICATION

20

LOC

DIST

REVISIONS

© COPYRIGHT 20 BY -

ALL RIGHTS RESERVED.

DY

-

P

LTR

DESCRIPTION

DATE

DWN

APVD

E4

ADD new p/n with width cavity

15APR15

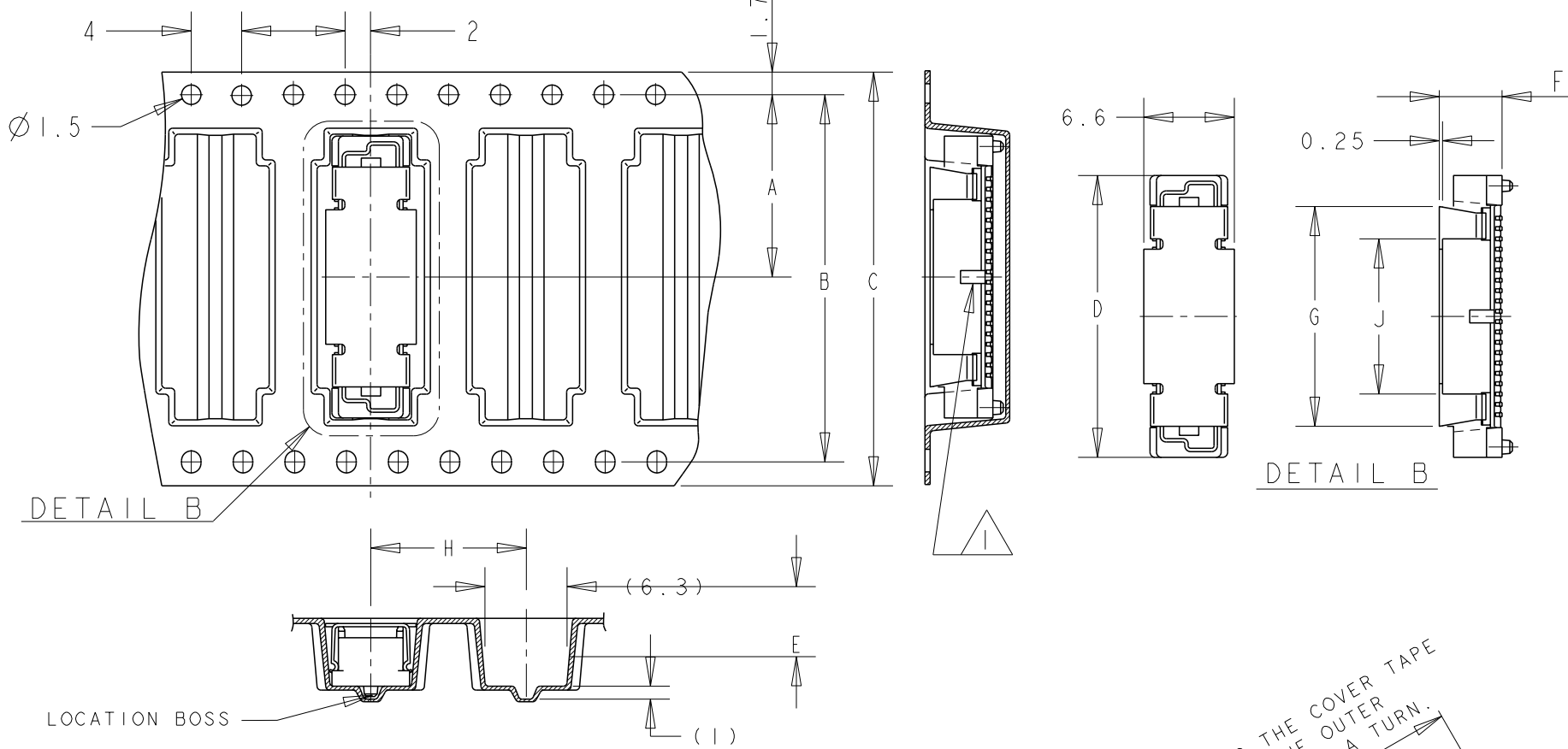
I.T W.H

Notes:

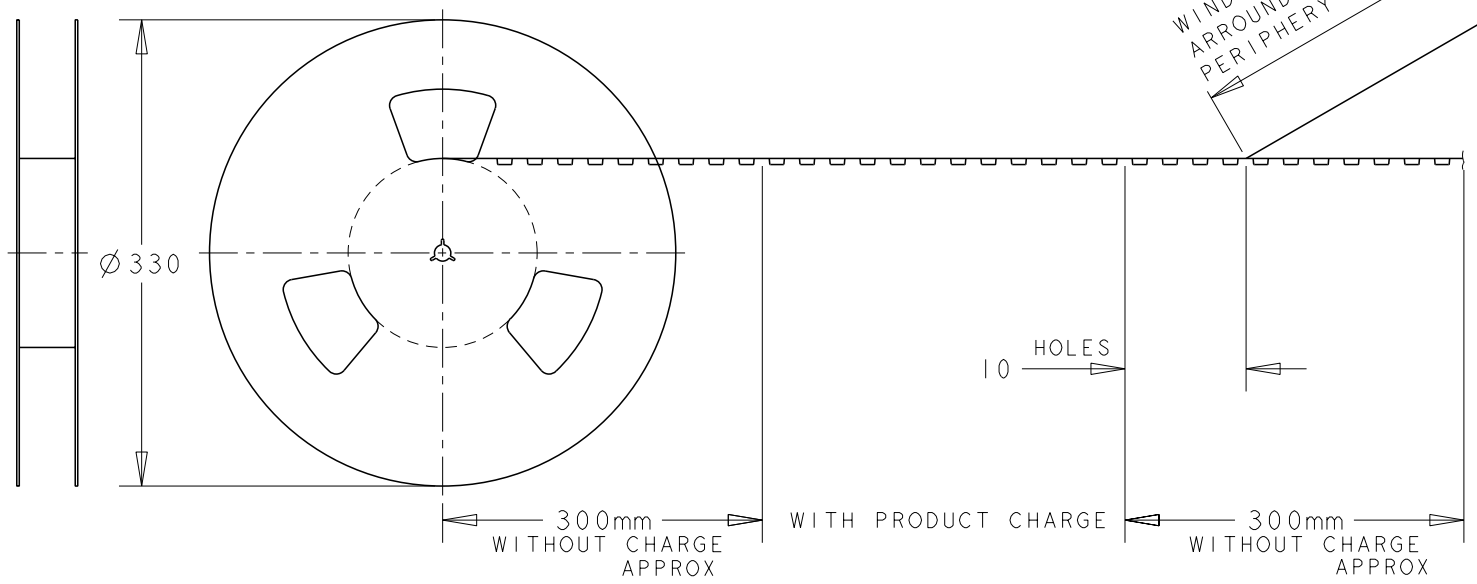
- 1 CUTOUT FEATURE AVAILABLE ONLY ON 5H ASSY P/N -1 (40P) AND -2 (60P).
- 2 0.00038 MIN GOLD PLATING (15u INCHES GOLD PLATING)
- 3 CONNECTOR DIMENSIONS REFERENCED FROM DRAWING WHICH CONN. P/Ns BASED

HALOGEN FREE

DIRECTION OFF TOP OF REEL



HEIGHT	J	H	G	F	E	D	C	B	A	POS	CONN. P/N REF. ONLY	SALEABLE PART NO.
450	16					61.8	88	84.4	42.2	140	1-5179030-1	7-5177986-1
700	7H 12		6.85	7.25		21.8	32	28.4	14.2	40	1-5179030-1	7-5177986-1
550	16					61.8	88	84.4	42.2	140	1-5179030-1	7-5177986-1
800	6H 12		5.85	6.25		21.8	32	28.4	14.2	40	5084615-1	6-5177986-1
650	16					61.8	88	84.4	42.2	140	1-5179030-1	7-5177986-1
900	5H 12	12	17	4.85	5.25	21.8	32	28.4	14.2	40	5084614-1	5-5177986-1
450	7H 12	16	17	6.85	7.25	53.8	72	68.4	34.2	120	3-5179030-5	4-5177986-5
400	16					61.8	88	84.4	42.2	140	1-5179030-1	7-5177986-1
600	8H 12		7.85	8.25		21.8	32	28.4	14.2	40	5179031-1	3-5177986-1
450	16					61.8	88	84.4	42.2	140	1-5179030-1	7-5177986-1
700	7H 12		6.85	7.25		21.8	32	28.4	14.2	40	5179030-1	2-5177986-1
500	7H 16		6.85	7.25		21.8	32	28.4	14.2	40	5179030-1	2-5177986-0
800	6H 12		5.85	6.25		21.8	32	28.4	14.2	40	5179029-1	1-5177986-1
650	16					61.8	88	84.4	42.2	140	1-5179030-1	7-5177986-1
900	5H 12	12	17	4.85	5.25	21.8	32	28.4	14.2	40	5177984-1	5177986-1



THIS DRAWING IS A CONTROLLED DOCUMENT.		DWN FLORENCE TAN 30AUG04		
DIMENSIONS: mm		CHK ERIC TNG		
TOLERANCES UNLESS OTHERWISE SPECIFIED:		APVD SE LEONG	NAME PLUG ASSEMBLY (0.5 BOSS LENGTH) FOR FH 0.8 B-T-B CONN. ON TAPING	
0 PLC ±- 1 PLC ±0.3 2 PLC ±0.25 3 PLC ±0.2 4 PLC ±- ANGLES ±3°		PRODUCT SPEC 108-5390	SIZE A3	
MATERIAL		APPLICATION SPEC 114-5254	CAGE CODE 00779	DRAWING NO C-5177986
FINISH		WEIGHT	RESTRICTED TO	
		CUSTOMER DRAWING	SCALE 2:1	SHEET 1 OF 1
			REV E4	